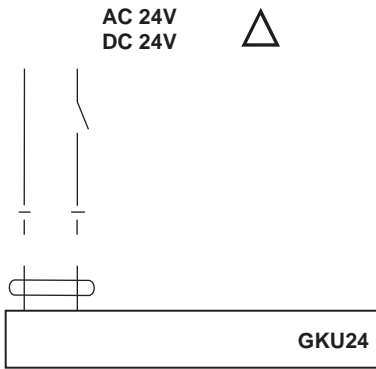
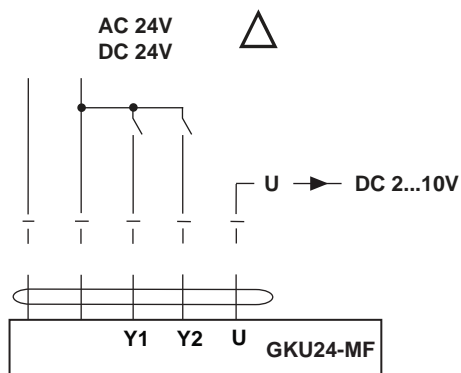
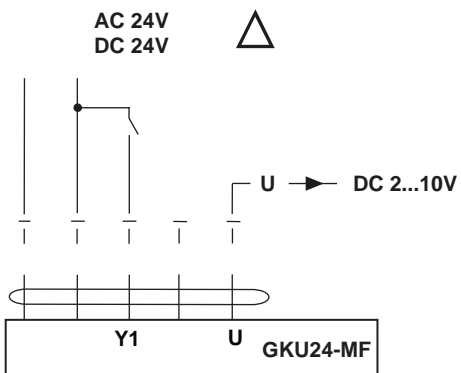
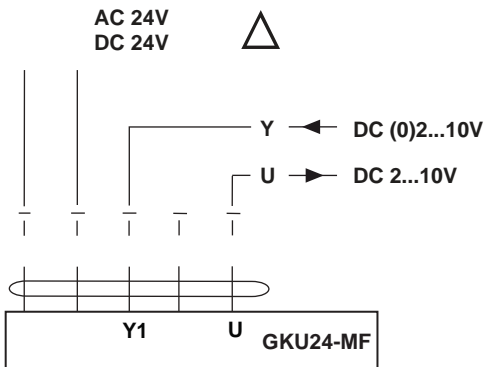


:



: -MF



| a (Y1) | b (Y2) | | h |
|-----------|-----------|--|-------|
| | | | |
| | | | |
| | | | |
| | | | |