

HVAC

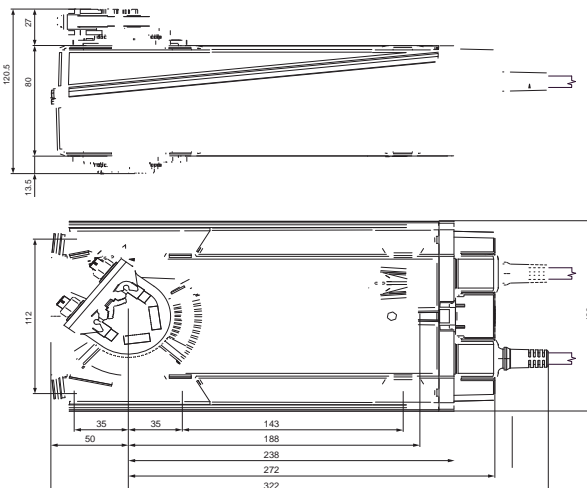
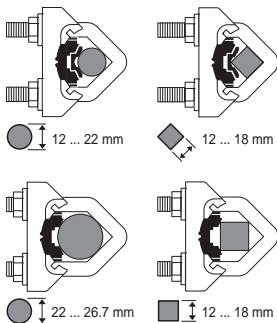
- : 30Nm
- : AC/DC 24V
- : 2xSPDT



	AC 24V 50/60Hz, DC 24V
	AC 19.2...28.8V; DC 21.6...28.8V
	9.5W @ / 4.5W @
	16VA
(-S2)	2xSPDT 1mA...3(0.5)A AC 250V 10% 10...90%
	1m 2x0.75mm ²
	1m 6x0.75mm ²
	30Nm @
	±5%
	L/R
	95°
-	<60s
-	20s @ -20 ... 50°C / 60s @ -30°C
-	55dB(A)
-	71dB(A)
	III ()
	IP54
EMC	CE 2004/108/EC
	IEC/EN 60730-1 IEC/EN 60730-2-14
	-30...+50°C
	-40...+80°C
	5...95%
#	(LxWxH) 322x138x120.5mm
	4.5kg

[mm]

		● I	■ I	◆ I
	≥117	12 ... 26.7	>12	<25.2
	≥20	12 ... 26.7	>12	<25.2



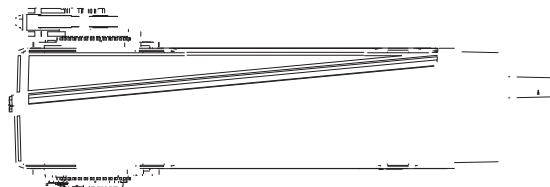
HVAC

- : 30Nm
- AC/DC 24V
- DC (0)2...10V
- DC 2...10V



	AC 24V 50/60Hz, DC 24V
	AC 19.2...28.8V / DC 21.6...28.8V
	7W @ / 4.5W @
	12VA
	1m 4x0.75mm ²
	30Nm @
Y	DC (0)2...10V @ 100k
U	DC 2...10V @ 0.5mA
	±5%
	L/R
	95°
-	150s
-	20s @ -20 ... 50°C / 60s @ -30°C
-	45dB(A) @ 150s
-	71dB(A)
	III ()
	IP54
EMC	CE 2004/108/EC
	IEC/EN 60730-1 IEC/EN 60730-2-14
	-30...+50°C
	-40...+80°C
	5...95%
#	(LxWxH) 322x138x120.5mm
	4.3kg

[mm]



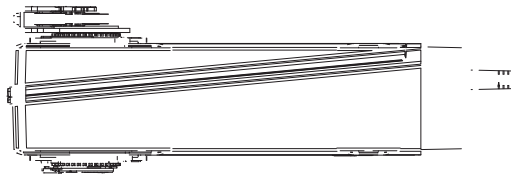
HVAC

- : 30Nm
- : AC 230V
- : 2xSPDT

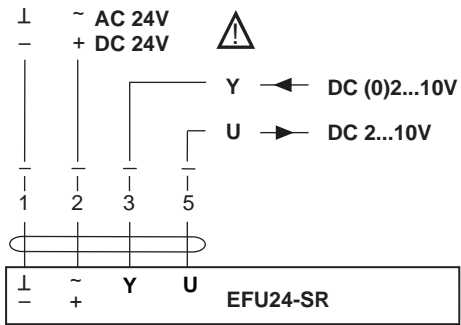


		AC 230V 50/60Hz
		AC 198...264V
		9.5W @ / 4.5W @
		22VA
(-S2)		2xSPDT, 1mA...3(0.5)A, AC 250V
		10% 10...90%
	-	1m 2x0.75mm ²
	- (-S2)	1m 6x0.75mm ²
		30Nm @
		±5%
		L/R
		95°
	-	<60s
	-	20s @ -20 ... 50°C / 60s @ -30°C
	-	55dB(A)
	-	71dB(A)
		II ()
		IP54
EMC		CE 2004/108/EC
		CE 2006/95/EC
		IEC/EN 60730-1 IEC/EN 60730-2-14
		-30...+50°C
		-40...+80°C
		5...95%
	#	(LxWxH) 322x138x80mm
		4.5kg

[mm]



接线图:



L0.2/4.6.81

with Y = 0 with Y = 0 with Y = 0 with Y = 0

开关型执行器

注意:

- 可并行连接多个执行器
- 必须注意功耗

